

RoHS Compliant

Specifications

Electrical Ratings	50mA @ 12VDC
Electrical Life	500,000 cycles
Contact Resistance	≤50mΩ initial
Actuation Force	200 ± 80gF; 450 ± 150gF
Actuation Travel	0.25 ± 0.10mm

Dielectric Strength	250Vrms min
Insulation Resistance	≥1000MΩ min
Operating Temperature	-40°C to +85°C
Storage Temperature	-40°C to +85°C

Materials

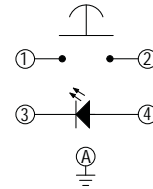
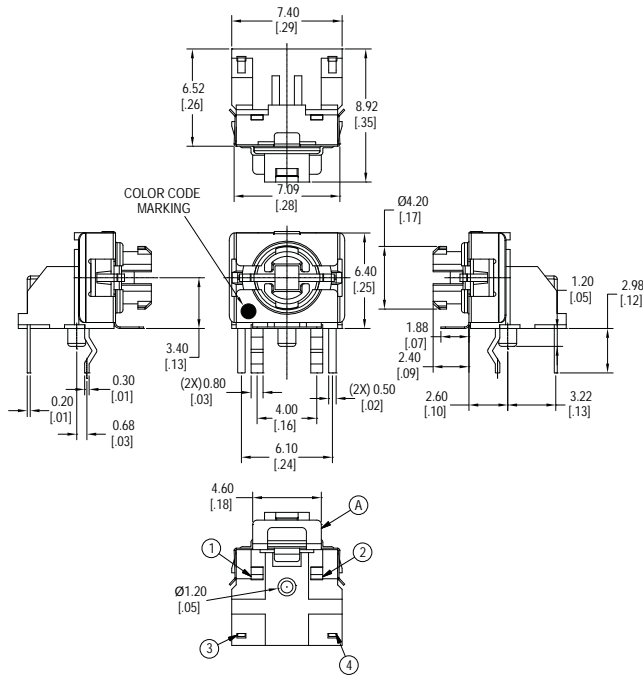
Cover, Metal	Stainless Steel
Actuator	6T Nylon
Base	6T Nylon
Seal	Rubber, Silicone
Contact, Dome	Stainless Steel, Silver Plated
Terminals	Copper Alloy, Silver Plated

LED Characteristics

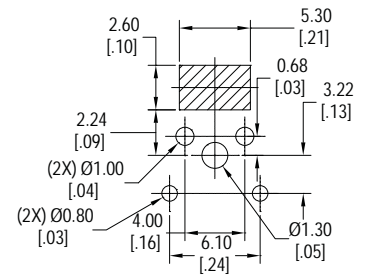
LED Ratings		Color						Units
		R	Y	G	B	PG	W	
Reverse Voltage	V _R	5	5	5	5	5	5	V
Forward Current (avg)	I _F	30	30	30	30	30	30	mA
Forward Current (peak)	I _{FS}	185	175	150	150	100	150	mA
Reverse Current V _R = 5V	I _R	10	10	10	10	10	10	μA
Power Dissipation	P _T	75	75	75	120	120	120	mW
Operating & Storage Temperature	T _A	-40 ~ +85						°C
Forward Voltage (typ) I _F = 20mA	V _F	2	2	2.1	3.3	3.2	3.3	V
Forward Voltage (max) I _F = 20mA	V _F	2.5	2.5	2.5	4.0	4	4.0	V
Wavelength at Peak Emission, I _F = 20mA	λ _P	650	590	574	648	520	n/a	nm
Spectral Line Half-Width, I _F = 20mA	Δλ	28	20	20	25	35	n/a	nm
Luminous Intensity, I _F = 20mA	LI	230	160	50	80	150	300	mcd
Viewing Angle	Θ	145	145	145	145	145	145	deg

Dimensions

TJV

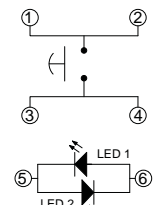
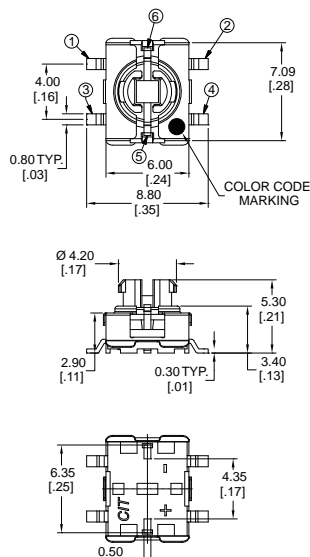


Schematic

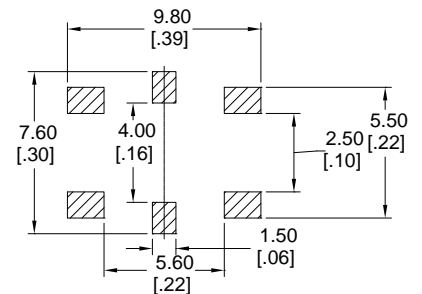


PCB Layout

TJS



Schematic



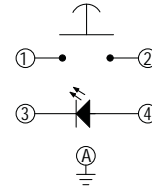
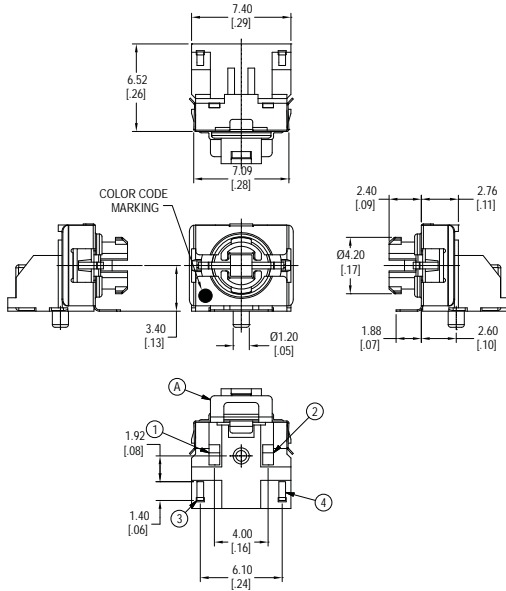
PCB Layout

TJ

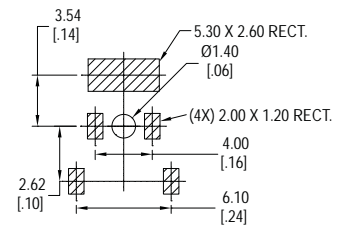
Sealed Illuminated Tactile

Dimensions

TJSV

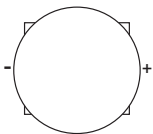
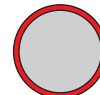


Schematic



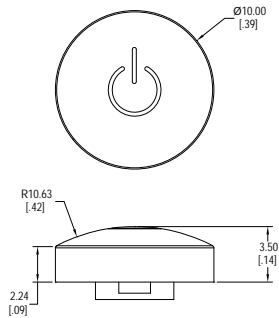
PCB Layout

Laser Etching Styles

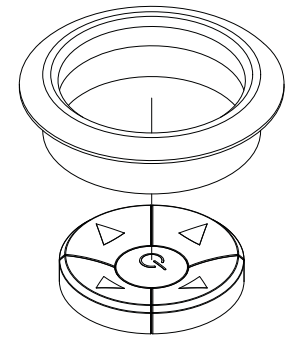
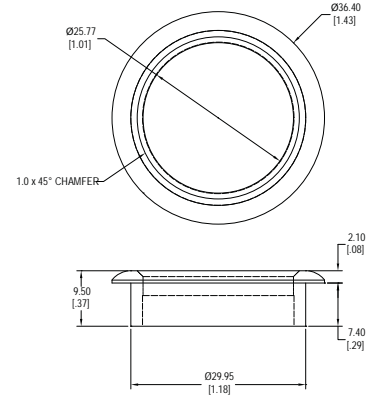
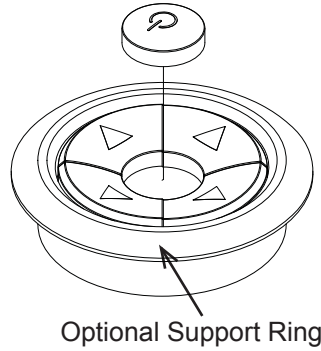


All laser etching styles will be orientated with the + terminal located on the right hand side with respect to the legend.

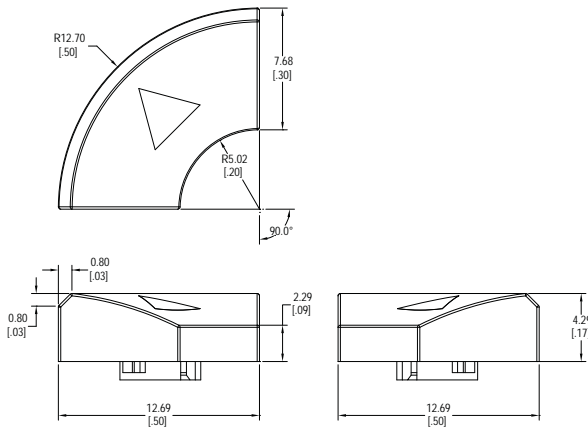
Caps



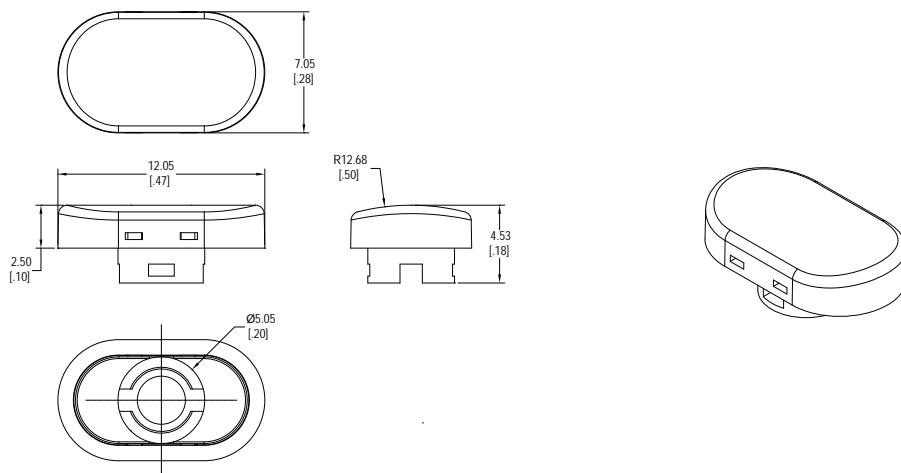
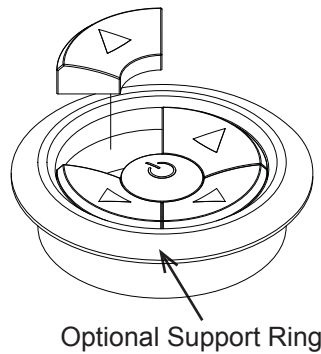
A Style Cap - Shown with E Laser Etching Style



Support Ring



B Style Cap - Shown with F Laser Etching Style

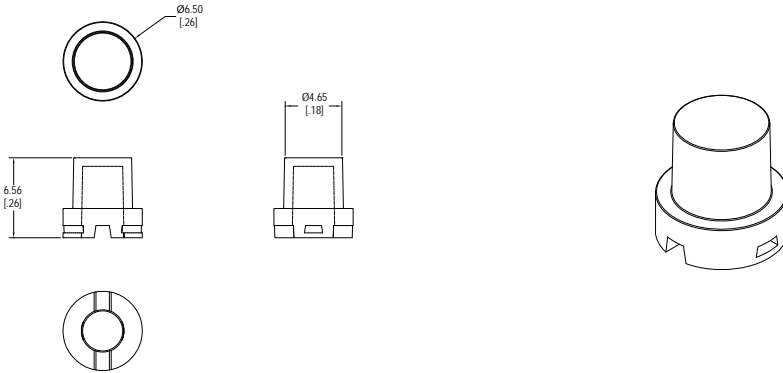


C Style Cap

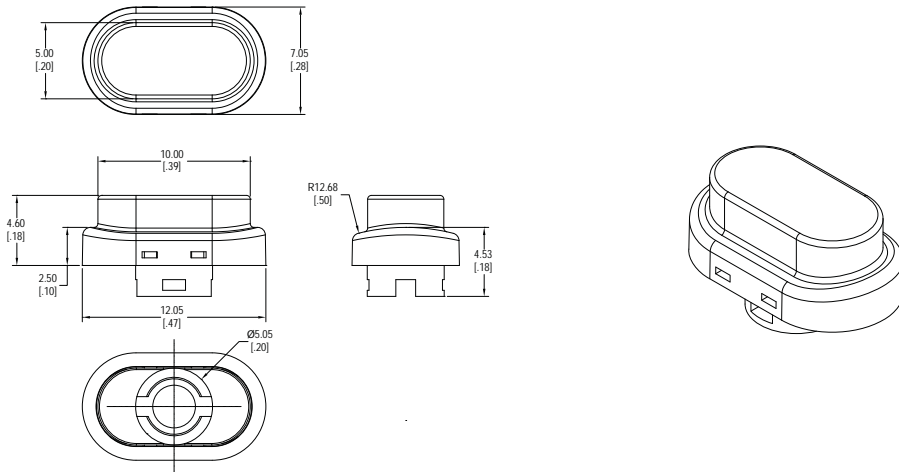
TJ

Sealed Illuminated Tactile

Caps

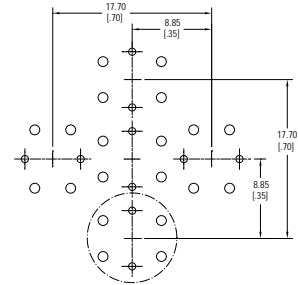
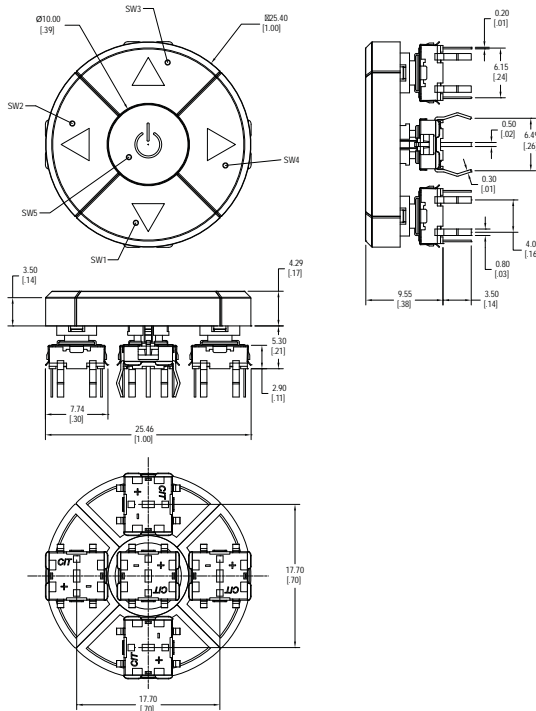


D Style Cap

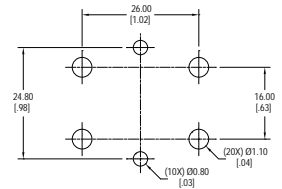


E Style Cap

Assembly, Thru-Hole

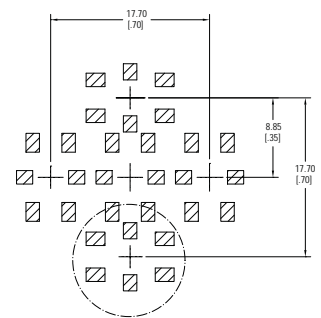
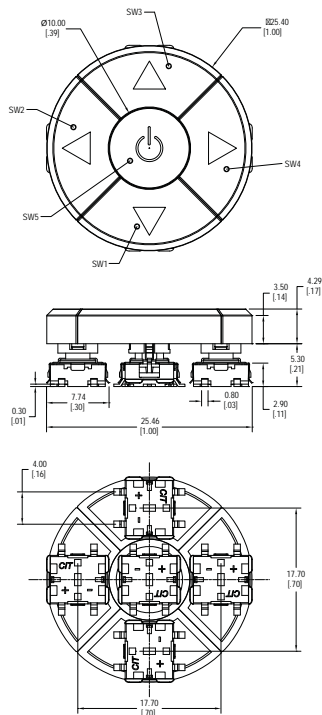


Schematic

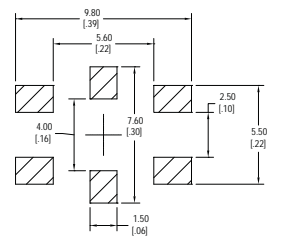


PCB Layout

Assembly, Surface Mount



Schematic



PCB Layout